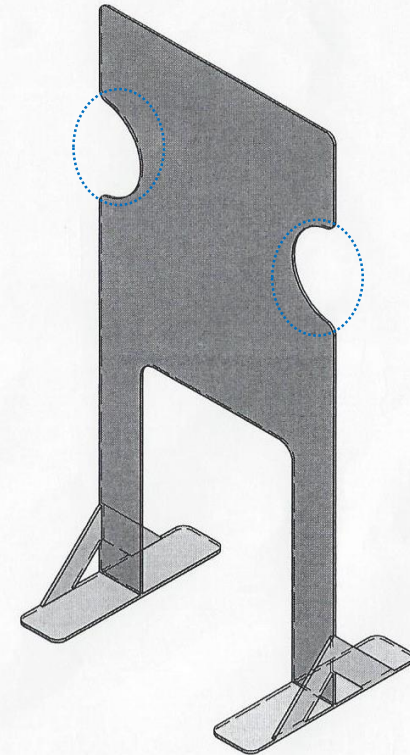
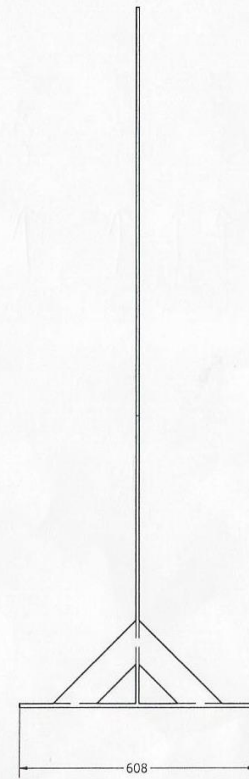
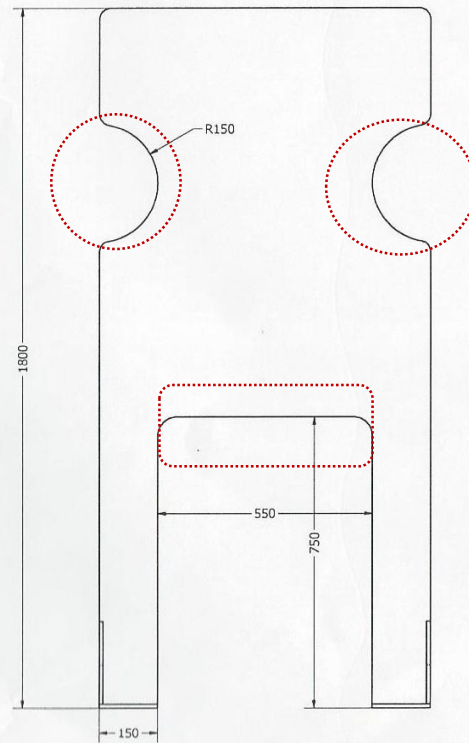


Acrylic barrier



Changes on model card

